



INSTALLATION INSTRUCTIONS FOR FUEL DISPENSERS SUNNY-XE EURO

Attachment 1 - Foundation schemes and frames



Document:	Installation instructions for fuel dispensers SUNNY-XE EURO, Attachment 1 - Foundation schemes and frames
File:	IN031-CZ_01_SunnyZakladovePlanyRev00
Version and date:	Version 00, 20 October 2011
No of pages	15 (including the cover)
Prepared by:	Ing. Milan Berka
TATSUNO EUROPE a.s., Pražská 2325/68, 678 01 Blansko, Czech Republic, tel.+420 516 428411, http://www.tatsuno-europe.com	

┌ TATSUNO EUROPE a.s.
Pražská 2325/68 • 67801 Blansko
Czech Republic
Tel: +420 516428411 • Fax: +420 516428410
e-mail: info@tatsuno-europe.com, <http://www.tatsuno-europe.com>

 **TATSUNO EUROPE**

© Copyright

This manual and its parts must not be copied without the consent of

TATSUNO EUROPE a.s.

CONTENTS

CONTENTS	3
INTRODUCTION	3
ATTACHMENT 1. 1 - FOUNDATION SCHEMES FOR THE SUCTION VERSION OF DISPENSERS WITH OWN PUMPS	5
ATTACHMENT 1.1.1. FOUNDATION SCHEME FOR THE DISPENSER SDA1222.E AND SDA1111.E/1L	5
ATTACHMENT 1.1.2. FOUNDATION SCHEME FOR THE DISPENSER SDA1111.E/1R.....	6
ATTACHMENT 1.1.3. FOUNDATION SCHEME FOR THE DISPENSER SDA2442.E AND SDA2221.E/1L	7
ATTACHMENT 1.1.4. FOUNDATION SCHEME FOR THE DISPENSER SDA2221.E/1R.....	8
ATTACHMENT 1.1.5. FOUNDATION SCHEME FOR THE DISPENSER SDB2442.E AND SDB2221.E/1L.....	9
ATTACHMENT 1.1.6. FOUNDATION SCHEME FOR THE DISPENSER SDB2221.E/1R.....	10
ATTACHMENT 1.1.7. FOUNDATION SCHEME FOR THE DISPENSER SDB3662.E AND SDB3331.E/1L.....	11
ATTACHMENT 1.1.8. FOUNDATION SCHEME FOR THE DISPENSER SDB3331.E/1R	12
ATTACHMENT 1.1.9. FOUNDATION SCHEME FOR THE DISPENSER SDB4882.E AND SDB4441.E/1L.....	13
ATTACHMENT 1.1.10. FOUNDATION SCHEME FOR THE DISPENSER SDB4441.E/1R	14
ATTACHMENT 1.1.11. CONNECTION PIECE DRAWING (BELLOWS)	15

INTRODUCTION

This attachment contains the foundation schemes for all variants of the **SUNNY-XE** dispensers for both the suction version, when the dispenser has its own pump and meter, and the remote version, when the dispenser has only a filter and meter, but it is connected to a station tank with a central pressure pump.

At the time of publication, the content of this attachment was accurate. The producer reserves the right to change the technical parameters of the appliance or its attributes without a written notice, since the technology is constantly improving and developing.

All rights reserved. No part of the manual may be reproduced or transmitted without a written consent of the company TATSUNO EUROPE a.s.

Document versions

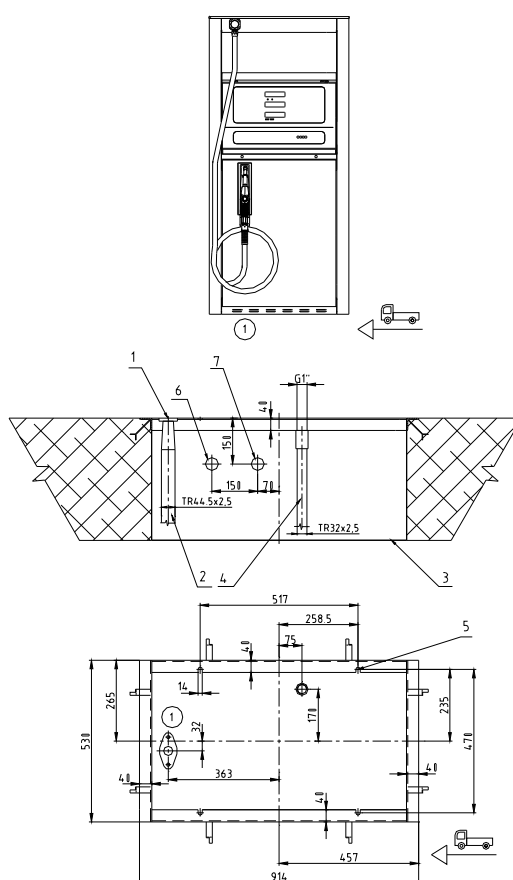
Version No/ date	Changes	Prepared by
Version 00 / 20 October 2011	Basic version of the document	Ing. Milan Berka

ATTACHMENT 1.1 - FOUNDATION SCHEMES FOR THE SUCTION VERSION OF DISPENSERS WITH OWN PUMPS

ATTACHMENT 1.1.1. FOUNDATION SCHEME FOR THE DISPENSER SDA1222.E AND SDA1111.E/1L

The plan applies to the following two-side and left-side suction models:

- SDA1222.E
- SDA1222.E-S
- SDA1111.E/1L
- SDA1111.E-S/1L

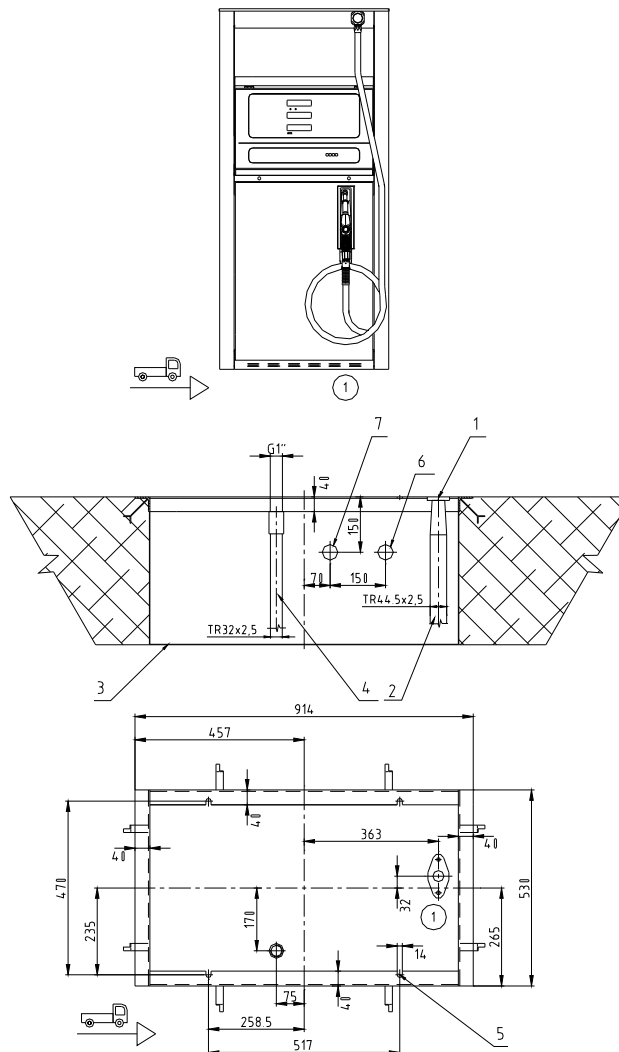


Note	Description	Note	Description
1	Oval flange PN6 DN32 (G 1¼") according to ČSN EN 13 1365	6	Outlets of electric cables for power supply to the dispenser
2	Suction piping - TR 44.5 x 2.5	7	Outlet of electric cables for communication
3	Leak catcher tray	↔	Recommended direction of vehicle arrival to the fuel dispenser
4	The fume exhaust piping TR 32 x 2.5 ends with an internal thread G1" (the dispensers for diesel oil are not equipped with it)	①②	Order of the fuel products
5	Anchoring holes		

ATTACHMENT 1.1.2. FOUNDATION SCHEME FOR THE DISPENSER SDA1111.E/1R

The scheme applies to the following right-side suction-type models:

- SDA1111.E/1L
- SDA1111.E-S/1L

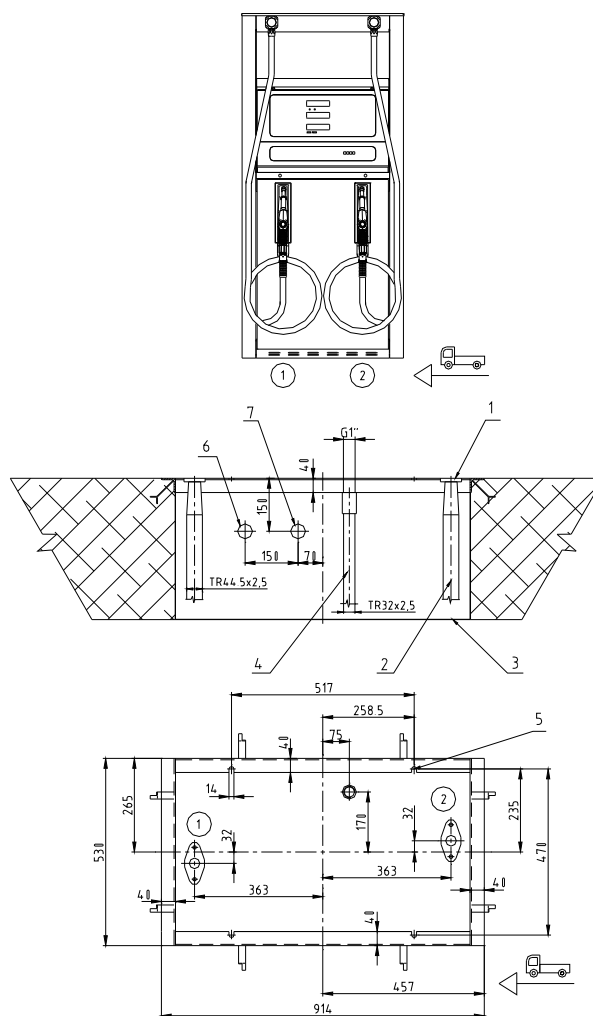


Note	Description	Note	Description
1	Oval flange PN6 DN32 (G 1¼") according to ČSN EN 13 1365	6	Outlets of electric cables for power supply to the dispenser
2	Suction piping - TR 44.5 x 2.5	7	Outlet of electric cables for communication
3	Leak catcher tray	↔	Recommended direction of vehicle arrival to the fuel dispenser
4	The fume exhaust piping TR 32 x 2.5 ends with an internal thread G1" (the dispensers for diesel oil are not equipped with it)	①②	The order of fuel products
5	Anchoring holes		

ATTACHMENT 1.1.3. FOUNDATION SCHEME FOR THE DISPENSER SDA2442.E AND SDA2221.E/1L

The scheme applies to the following two-side and left-side suction-type models:

- SDA2442.E
- SDA2444.E
- SDA2222.E
- SDA2222.E-S
- SDA2221.E /1L
- SDA2222.E /1L
- SDA2222.E-S /1L

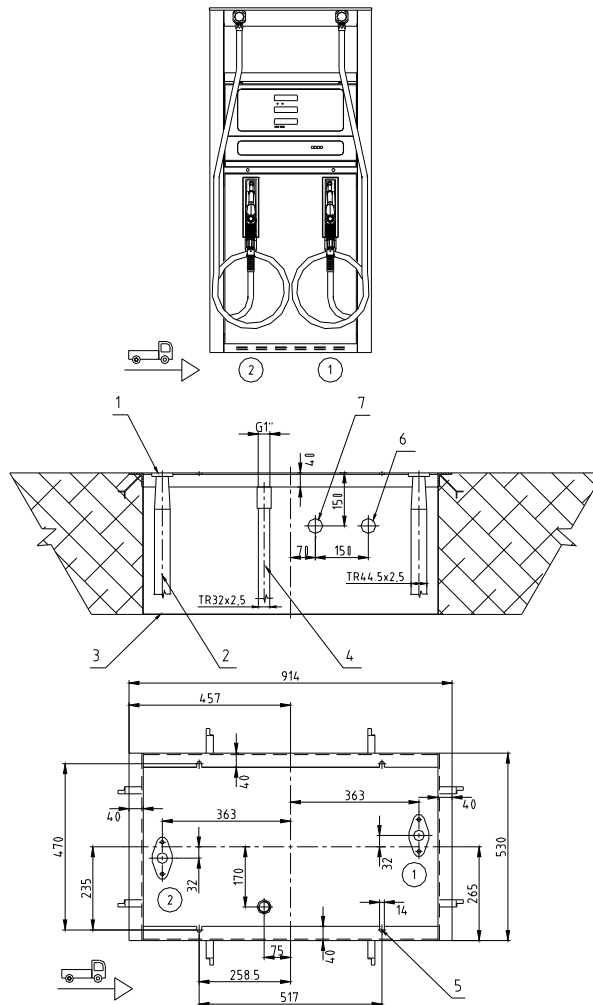


Note	Description	Note	Description
1	Oval flange PN6 DN32 (G 1¼") according to ČSN EN 13 1365	6	Outlets of electric cables for power supply to the dispenser
2	Suction piping - TR 44.5 x 2.5	7	Outlet of electric cables for communication
3	Leak catcher tray	←	Recommended direction of vehicle arrival to the fuel dispenser
4	The fume exhaust piping TR 32 x 2.5 ends with an internal thread G1" (the dispensers for diesel oil are not equipped with it)	①②	The order of fuel products
5	Anchoring holes		

ATTACHMENT 1.1.4. FOUNDATION SCHEME FOR THE DISPENSER SDA2221.E/1R

The scheme applies to the following right-side suction-type models:

- SDA2221.E /1R
- SDA2222.E /1R
- SDA2222.E-S /1R

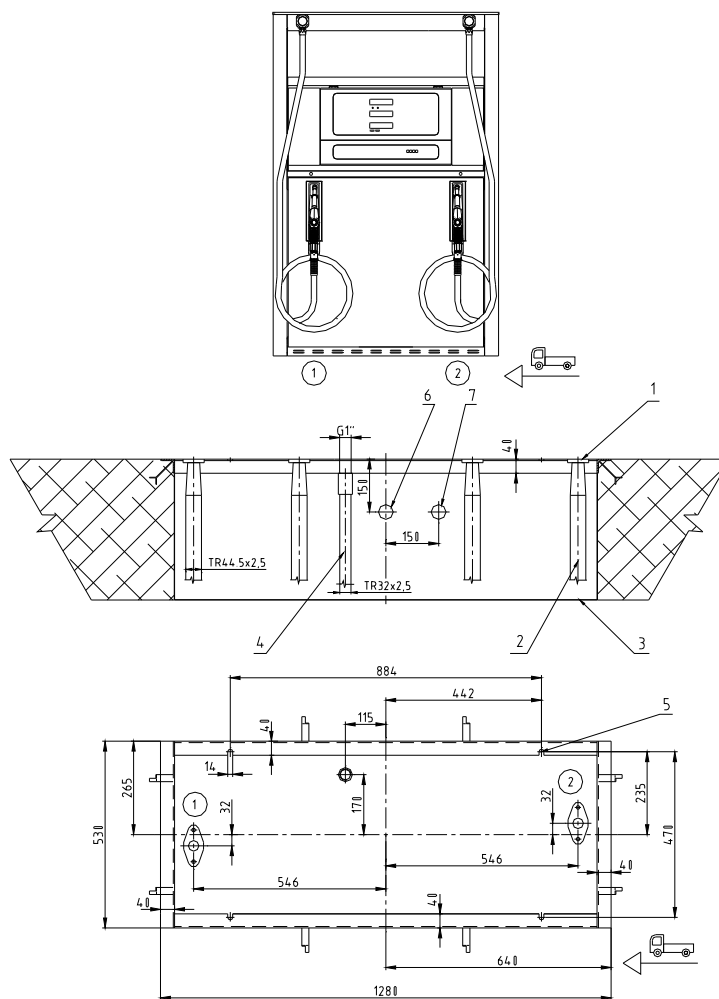


Note	Description	Note	Description
1	Oval flange PN6 DN32 (G 1¼") according to ČSN EN 13 1365	6	Outlets of electric cables for power supply to the dispenser
2	Suction piping - TR 44.5 x 2.5	7	Outlet of electric cables for communication
3	Leak catcher tray	↔	Recommended direction of vehicle arrival to the fuel dispenser
4	The fume exhaust piping TR 32 x 2.5 ends with an internal thread G1" (the dispensers for diesel oil are not equipped with it)	① ②	The order of fuel products
5	Anchoring holes		

ATTACHMENT 1.1.5. FOUNDATION SCHEME FOR THE DISPENSER SDB2442.E AND SDB2221.E/1L

The scheme applies to the following two-side and left-side suction-type models:

- SDB2442.E
- SDB2444.E
- SDB2221.E /1L
- SDB2222.E

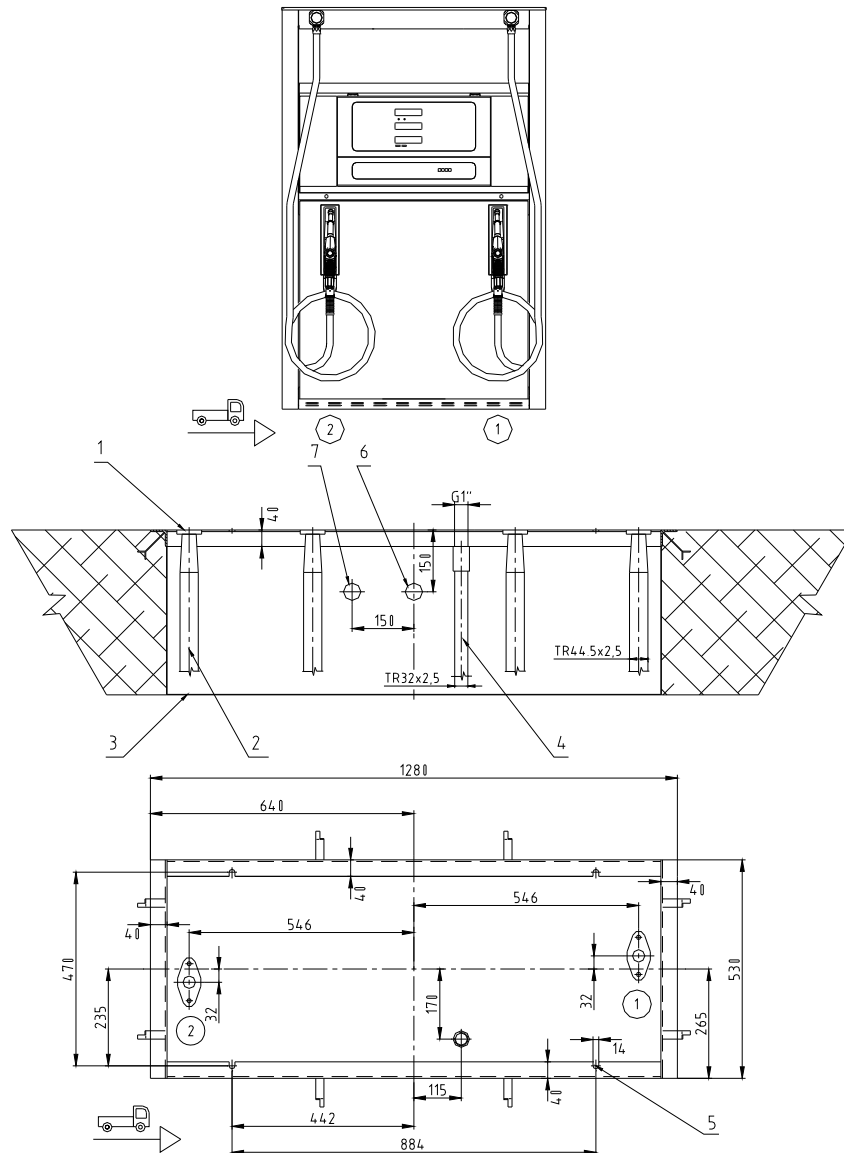


Note	Description	Note	Description
1	Oval flange PN6 DN32 (G 1¼") according to ČSN EN 13 1365	6	Outlets of electric cables for power supply to the dispenser
2	Suction piping - TR 44.5 x 2.5	7	Outlet of electric cables for communication
3	Leak catcher tray	↔	Recommended direction of vehicle arrival to the fuel dispenser
4	The fume exhaust piping TR 32 x 2.5 ends with an internal thread G1" (the dispensers for diesel oil are not equipped with it)	①②	The order of fuel products
5	Anchoring holes		

ATTACHMENT 1.1.6. FOUNDATION SCHEME FOR THE DISPENSER SDB2221.E/1R

The scheme applies to the following right-hand suction-type models:

- SDB2221.E /1R
- SDA2222.E /1R

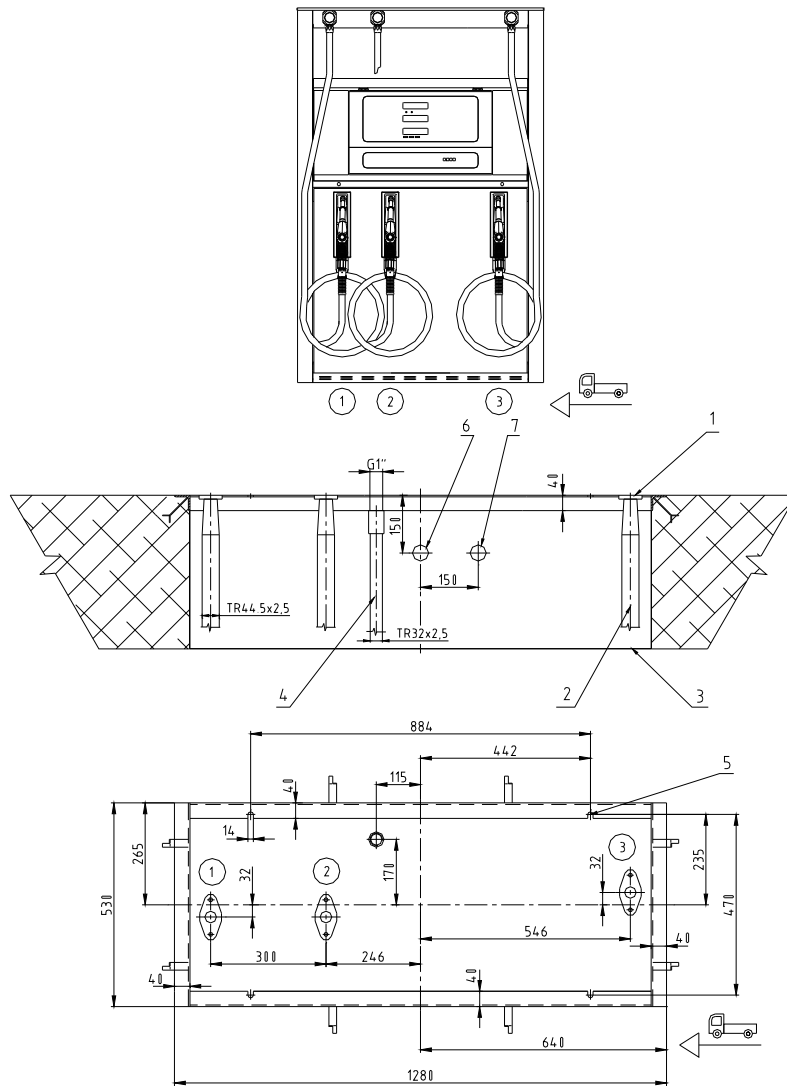


Note	Description	Note	Description
1	Oval flange PN6 DN32 (G 1¼") according to ČSN EN 13 1365	6	Outlets of electric cables for power supply to the dispenser
2	Suction piping - TR 44.5 x 2.5	7	Outlet of electric cables for communication
3	Leak catcher tray		Recommended direction of vehicle arrival to the fuel dispenser
4	The fume exhaust piping TR 32 x 2.5 ends with an internal thread G1" (the dispensers for diesel oil are not equipped with it)	① ②	The order of fuel products
5	Anchoring holes		

ATTACHMENT 1.1.7. FOUNDATION SCHEME FOR THE DISPENSER SDB3662.E AND SDB3331.E/1L

The scheme applies to the following two-sided and left-sided suction-type models:

- SDB3662.E
- SDB3664.E
- SDB3666.E
- SDB3331.E /1L
- SDB3332.E /1L
- SDB3333.E /1L

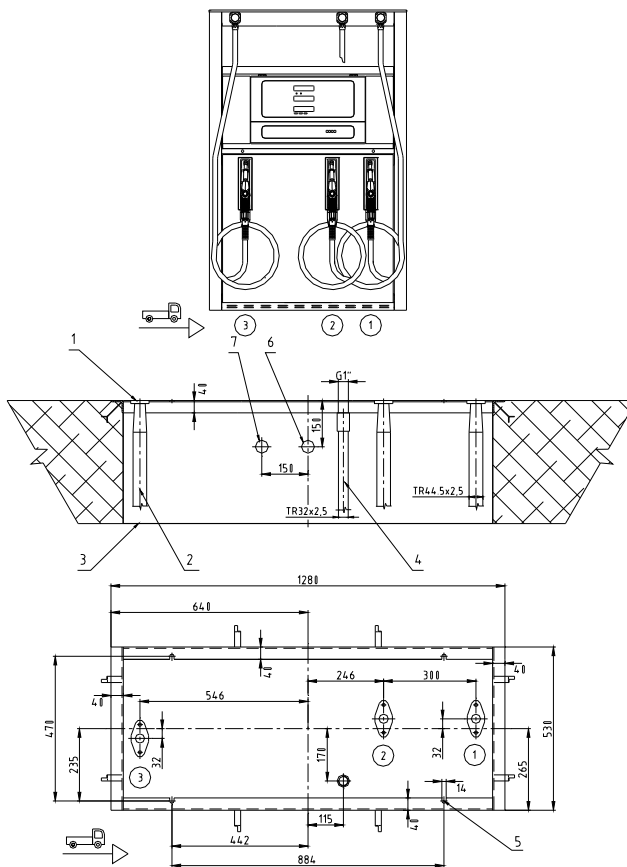


Note	Description	Note	Description
1	Oval flange PN6 DN32 (G 1¼") according to ČSN EN 13 1365	6	Outlets of electric cables for power supply to the dispenser
2	Suction piping - TR 44.5 x 2.5	7	Outlet of electric cables for communication
3	Leak catcher tray	←	Recommended direction of vehicle arrival to the fuel dispenser
4	The fume exhaust piping TR 32 x 2.5 ends with an internal thread G1" (the dispensers for diesel oil are not equipped with it)	①②	The order of fuel products
5	Anchoring holes		

ATTACHMENT 1.1.8. FOUNDATION SCHEME FOR THE DISPENSER SDB3331.E/1R

The scheme applies to the following right-side suction-type models:

- SDB3331.E /1R
- SDB3332.E /1R
- SDB3333.E /1R

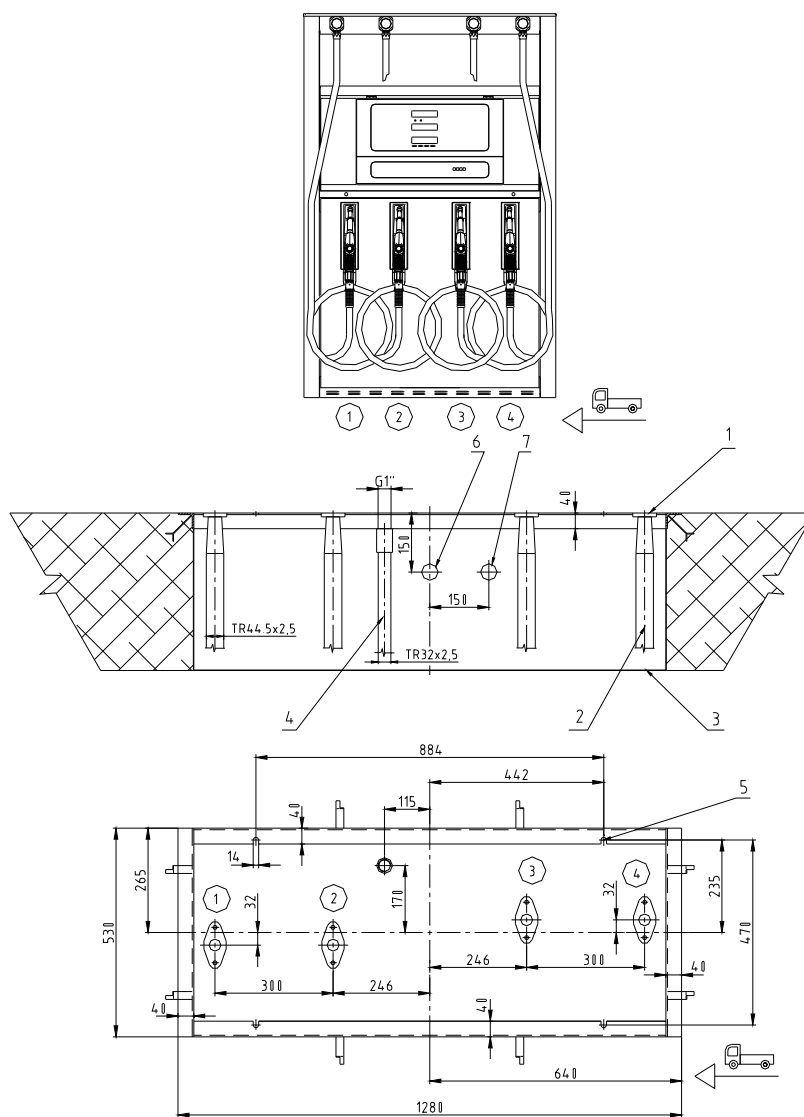


Note	Description	Note	Description
1	Oval flange PN6 DN32 (G 1 1/4") according to ČSN EN 13 1365	6	Outlets of electric cables for power supply to the dispenser
2	Suction piping - TR 44.5 x 2.5	7	Outlet of electric cables for communication
3	Leak catcher tray	↔	Recommended direction of vehicle arrival to the fuel dispenser
4	The fume exhaust piping TR 32 x 2.5 ends with an internal thread G1" (the dispensers for diesel oil are not equipped with it)	①②	The order of fuel products
5	Anchoring holes		

ATTACHMENT 1.1.9. FOUNDATION SCHEME FOR THE DISPENSER SDB4882.E AND SDB4441.E/1L

The scheme applies to the following right-hand suction-type models:

- SDB4882.E
- SDB4884.E
- SDB4886.E
- SDB4441.E /1L
- SDB4442.E /1L
- SDB4443.E /1L

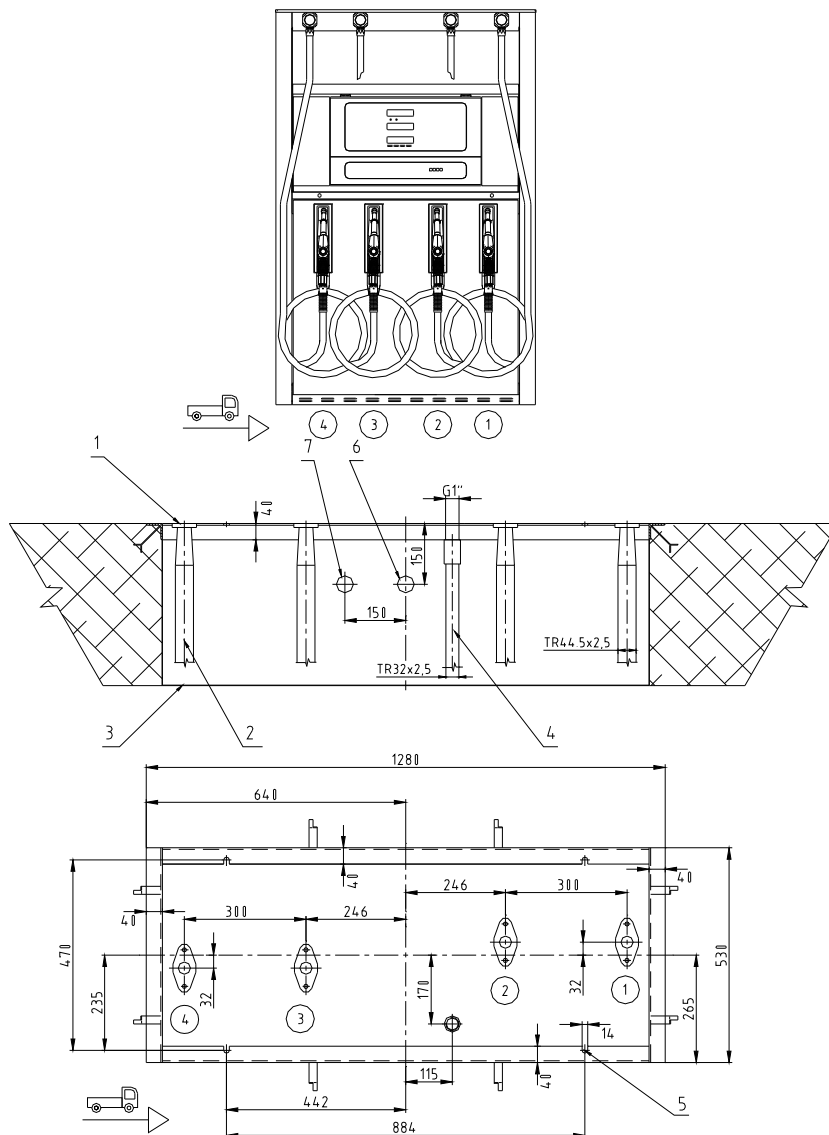


Note	Description	Note	Description
1	Oval flange PN6 DN32 (G 1¼") according to ČSN EN 13 1365	6	Outlets of electric cables for power supply to the dispenser
2	Suction piping - TR 44.5 x 2.5	7	Outlet of electric cables for communication
3	Leak catcher tray	↖	Recommended direction of vehicle arrival to the fuel dispenser
4	The vapour recovery piping TR 32 x 2.5 ends with an internal thread G1" (the dispensers for diesel oil are not equipped with it)	①②	The order of fuel products
5	Anchoring holes		

ATTACHMENT 1.1.10. FOUNDATION SCHEME FOR THE DISPENSER SDB4441.E/1R

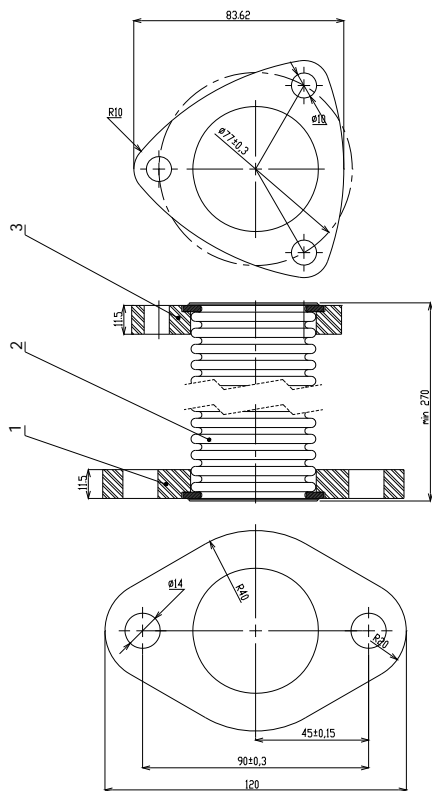
The scheme applies to the following right-side suction-type models:

- SDB4441.E /1R
- SDB4442.E /1R
- SDB4443.E /1R



Note	Description	Note	Description
1	Oval flange PN6 DN32 (G 1¼") according to ČSN EN 13 1365	6	Outlets of electric cables for power supply to the dispenser
2	Suction piping - TR 44.5 x 2.5	7	Outlet of electric cables for communication
3	Leak catcher tray	↔	Recommended direction of vehicle arrival to the fuel dispenser
4	The vapour recovery piping TR 32 x 2.5 ends with an internal thread G1" (the dispensers for diesel oil are not equipped with it)	① ②	The order of fuel products
5	Anchoring holes		

ATTACHMENT 1.1.11. CONNECTION PIECE DRAWING (BELLOWS)



Note	Description	Note	Description
1	Oval flange for connection to the fuel suction piping	3	Flange for connection to the pumping monoblock entry
2	Flexible piping – bellows		